

DISSOLVED OXYGEN: HACH LDO® PROBE, MODEL 2

Applications

- Wastewater
- Industrial Water
- Drinking Water



Take “No” for an answer when measuring dissolved oxygen with the next generation Hach LDO probe.

No Calibration Required

The Hach LDO probe is ready to work in your process right out of the box with no calibration required for the entire 2-year life of the sensor cap.

No Membranes to Replace

There is virtually no maintenance with Hach's breakthrough luminescent technology. There are no membranes to replace, no electrolyte solution to replenish, and no anode or cathode to clean.

No Missed Cleaning Cycles

Customizable service indicators trigger a service message so that a cleaning cycle is never missed.

No Drift

A cutting-edge, 3D calibration procedure at the factory makes oxygen measurement with the Hach LDO probe more accurate than ever before.

No Complications

A robust new design gives the Hach LDO enhanced durability and reduced size for easier handling.

Specifications*

Range	0 to 20.00 ppm
	0 to 20.0 mg/L (or ppm)
	0 to 200 % air saturation
Accuracy	± 0.05 ppm below 1 ppm
	± 0.1 ppm below 5 ppm
	± 0.2 ppm above 5 ppm
Response Time	$T_{95} < 60$ s
	$T_{90} < 40$ s
Resolution	0.01 ppm DO
	0.1% saturation
Repeatability	± 0.1 (mg/L) ppm

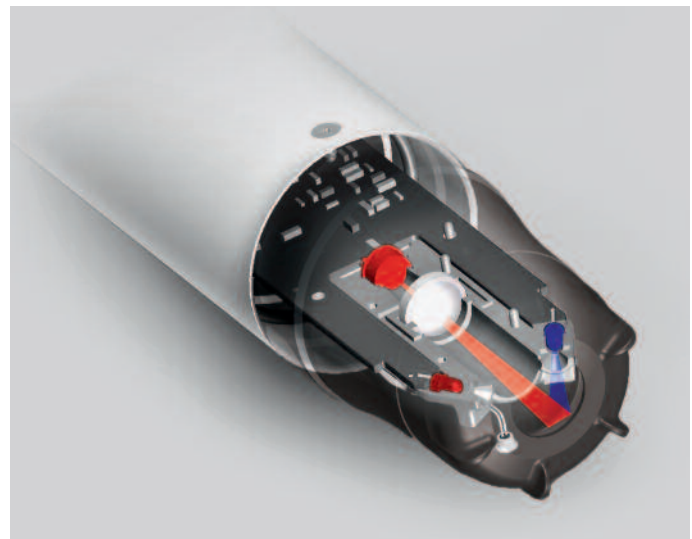
Flow Rate	None required
Sensor Immersion Depth	Down to 345 kPa 345 kPa (50 psi), maximum; accuracy may not be maintained at this depth
Transmission Distance	1000 m (3280 ft.) maximum when used with a termination box
Cable Length	10 m (options with 30m, 60m, 100m)
Dimensions (D x L)	1.9 in x 10 in (48.25 mm x 254 mm)
Weight	2.2 lbs. (1 kg), probe only

**Subject to change without notice.*

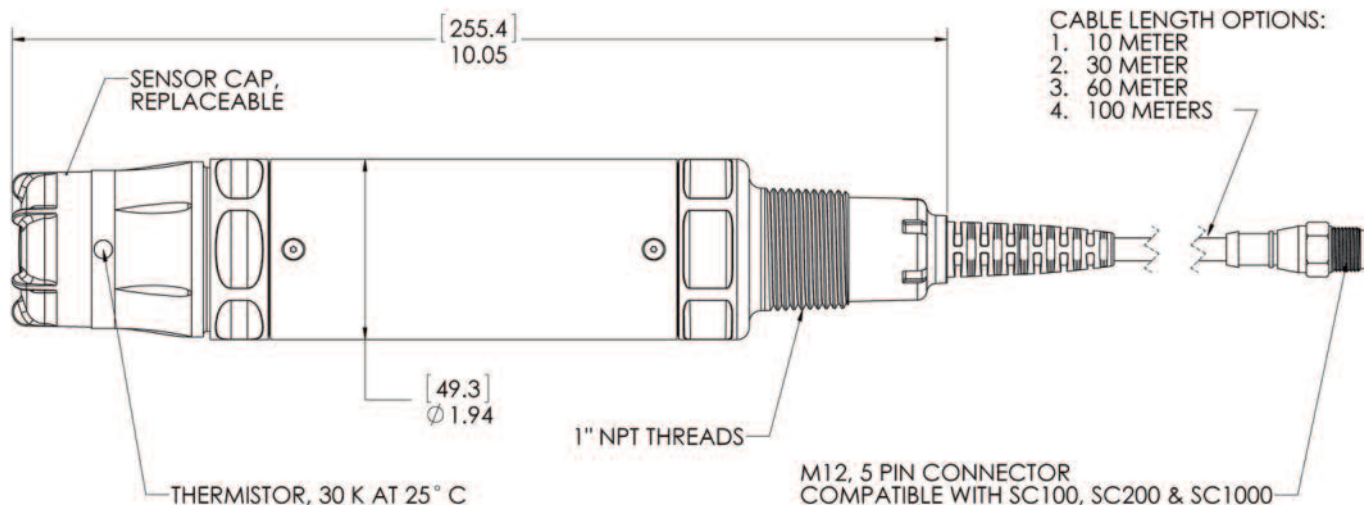
Principle of Operation

The HACH LDO sensor is coated with a luminescent material. Blue light from an LED is transmitted to the sensor surface. The blue light excites the luminescent material. As the material relaxes it emits red light. The time it takes for the red light to be emitted is measured. Between the flashes of blue light, a red LED is flashed on the sensor and used as an internal reference.

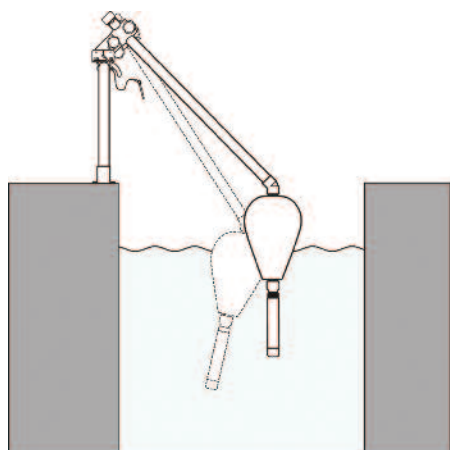
Increased oxygen in the sample decreases the time it takes for the red light to be emitted. The time measurements correlate to the oxygen concentration.



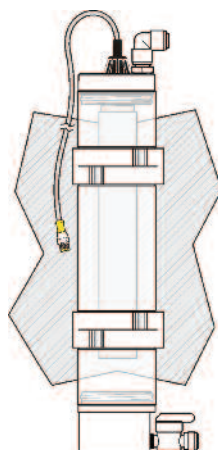
Dimensions



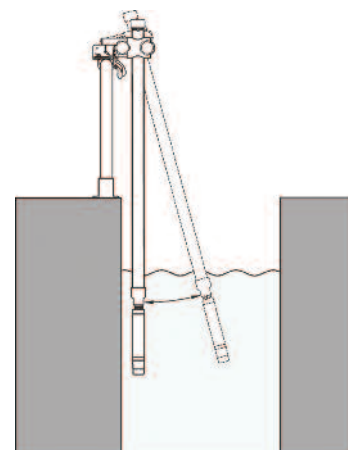
Installation / Mounting



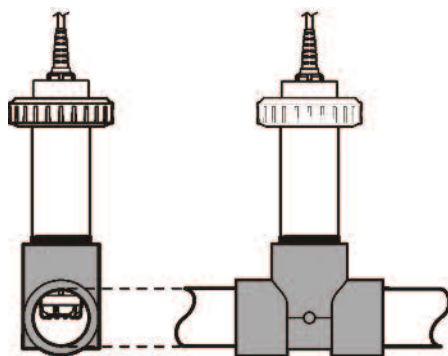
Float Mount Kit



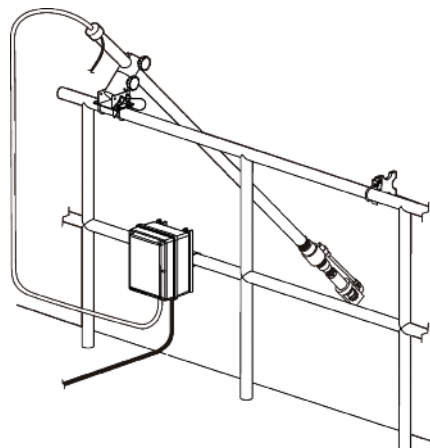
Flow Cell



Pole Mount Kit



Union Mount Kit



Air Blast Cleaning System

Ordering Information

9020000	Hach LDO Model 2 Probe
9020000-UPGRADE	LDO Probe, Mounting Conversion Adapter
9020000-SC200	LDO Probe, Mounting Conversion Adapter, sc200 controller with 2 channels

Accessories

5867000	Digital Termination Box
5796000	Digital Extension Cable, 7.7 m (25 ft.)
5796100	Digital Extension Cable, 15 m (50 ft.)
5796200	Digital Extension Cable, 31 m (100 ft.)
6860000	High Output Air Blast Cleaning System, 115 Vac
6860100	High Output Air Blast Cleaning System, 230 Vac
9253500	Air Blast Hardware Components

Replacement Parts

9021100	LDO Model 2 Sensor Cap Replacement Kit
----------------	--

Mounting Kits

9253000	Pole Mount Kit, PVC
9253100	Ball Float Mount Kit, PVC
9257000	Union Mount Kit, PVC
9253400	Mounting Conversion Adapter, LDO Model 1 to LDO Model 2
7300800	1 NPT sc Sensors Flow Cell

Controllers

sc200 Digital Controllers

LXV404.99.00552	sc200 controller, 2 channel, digital
LXV404.99.00542	sc200 controller, 2 channel, digital & mA input
LXV404.99.00502	sc200 controller, 1 channel, digital
LXV404.99.00512	sc200 controller, 2 channel, digital & pH/DO
LXV404.99.00522	sc200 controller, 2 channel, digital & Conductivity
LXV404.99.00532	sc200 controller, 2 channel, digital & Flow

sc1000 Digital Controllers

LXV402.99.00002	sc1000 Display Module
LXV400.99.1R572	sc1000 Probe Module, 4 sensors, 4 mA Out, 4 mA In, 4 Relays, 110-230V
LXV400.99.1B572	sc1000 Probe Module, 4 sensors, 4 mA Out, 4 mA In, 4 Relays, Modbus RS485, 110-230V
LXV400.99.1F572	sc1000 Probe Module, 4 sensors, 4 mA Out, 4 mA In, 4 Relays, PROFIBUS DP, 110-230V
LXV400.99.1R582	sc1000 Probe Module, 6 sensors, 4 mA Out, 4 mA In, 4 Relays, 110-230V



HACH COMPANY World Headquarters: Loveland, Colorado USA

United States:	800-227-4224 tel	970-669-2932 fax	orders@hach.com
Outside United States:	970-669-3050 tel	970-461-3939 fax	int@hach.com
hach.com			

LIT2455 Rev 3

A14 Printed in U.S.A.

©Hach Company, 2014. All rights reserved.

In the interest of improving and updating its equipment,

Hach Company reserves the right to alter specifications to equipment at any time.



Be Right™